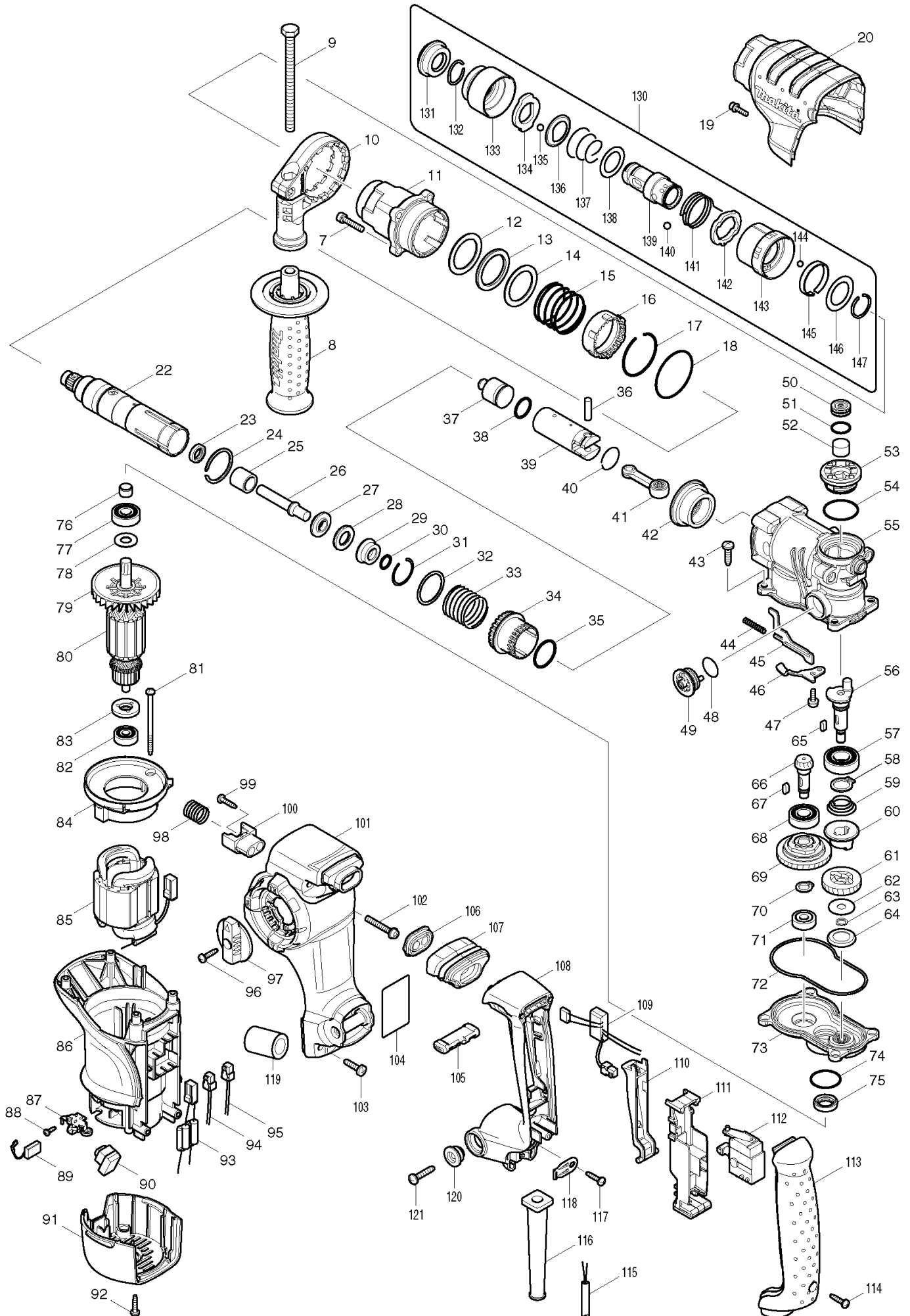


Nr.	Art nr.	Namn
7	922241-7	HEX. SOCKET HEAD BOLT M5X25
8	158057-6	GRIP 36 COMPLETE
9	921919-9	HEX. BOLT M8X110
10	419975-6	GRIP BASE 20
11	158288-7	BARREL COMPLETE
12	267354-0	FLAT WASHER 31
13	262133-1	URETHANE RING 31
14	267354-0	FLAT WASHER 31
15	234020-4	COMPRESSION SPRING 37
16	419986-1	LOCK SLEEVE
17	233952-2	RING SPRING 41
18	213620-3	O RING 46
19	922128-3	HEX. SOCKET HEAD BOLT M4X16
20	419984-5	CRANK HOUSING COVER
22	158286-1	TOOL HOLDER GUIDE COMPLETE
23	213344-1	OIL SEAL 9
24	961140-8	RETAINING RING
25	331769-8	SLEEVE 9
26	324796-2	IMPACT BOLT
27	324402-9	RING 10
28	421955-0	CUSHION RING 13
29	324216-6	O RING CASE
30	213073-6	O RING 9
31	233917-4	RING SPRING 28
32	267105-1	FLAT WASHER 29
33	234021-2	COMPRESSION SPRING 30
34	331770-3	DRIVING SLEEVE
35	213435-8	O RING 26
36	256099-5	PIN 6
37	324733-6	STRIKER
38	213227-5	O RING 16
39	331776-1	PISTON CYLINDER
40	233954-8	RING SPRING 21
41	158282-9	CONNECTING ROD COMPLETE
42	227532-4	SPIRAL BEVEL GEAR 31
43	266420-0	TAPPING SCREW 5X20
44	234019-9	COMPRESSION SPRING 4
45	345814-3	LINK PLATE
46	345815-1	GUIDE PLATE
47	911118-1	PAN HEAD SCREW M4X12
48	213262-3	O RING 18
49	162256-4	LINK LEVER COMPLETE
50	419988-7	FILTER CAP
51	213218-6	O RING 16
52	443129-3	FILTER
53	419987-9	CRANK CAP
54	213406-5	O RING 30
55	158289-5	CRANK HOUSING COMPLETE

56	324793-8	CRANK SHAFT
57	211232-6	BALL BEARING 6002LLU
58	961055-9	RETAINING RING S-15
59	233951-4	C. C. SPRING 16-26
60	223167-9	CLUTCH
61	226653-9	HELICAL GEAR 29
62	267353-2	FLAT WASHER 8
63	961034-7	RETAINING RING
64	345818-5	CUP WASHER 16
65	254239-9	KEY 4
66	227524-3	SPIRAL BEVEL GEAR 9
67	254239-9	KEY 4
68	210105-0	BALL BEARING 6001LLU
69	125386-2	TORQUE LIMITTER ASS'Y
70	961006-2	RETAINING RING S-10
71	210024-0	BALL BEARING 608LLU
72	424028-8	SEAL RING
73	158287-9	GEAR HOUSING COMPLETE
74	213445-5	O-RING 26
75	213133-4	OIL SEAL 12
76	331775-3	SLEEVE 10
77	210054-1	BALL BEARING 6000LLU
78	253171-4	FLAT WASHER 10
80	515294-9	ARMATURE ASS'Y 240V
81	266325-4	TAPPING SCREW 4X70
82	210023-2	BALL BEARING 627DDW
83	681656-4	INSULATION WASHER
84	419989-5	BUFFLE PLATE
85	526584-5	FIELD ASS'Y 240V
86	419982-9	MOTOR HOUSING
87	643766-5	BRUSH HOLDER
88	266421-8	TAPPING SCREW 3X10
89	194074-2	Hiilet CB-325
90	631754-4	LED CIRCUIT
91	419983-7	REAR COVER
92	266326-2	TAPPING SCREW 4X18
93	638568-2	CHOKE COIL UNIT
94	638567-4	LEAD UNIT
95	638566-6	LEAD UNIT
96	266326-2	TAPPING SCREW 4X18
97	158284-5	CHANGE LEVER COMPLETE
98	234022-0	COMPRESSION SPRING 14
99	266326-2	TAPPING SCREW 4X18
100	419995-0	SPRING GUIDE
101	419979-8	HANDLE BASE
102	911258-5	PAN HEAD SCREW M5X35
103	266420-0	TAPPING SCREW 5X20
104	863933-8	HR2811FT NAME PLATEE
105	419992-6	F/R CHANGE LEVER

106	419994-2	DUST COVER SUPPORT
107	424029-6	DUST COVER
108	419978-0	HANDLE
109	631753-6	POWER SUPPLY CIRCUIT
110	419990-0	SWITCH LEVER
111	158281-1	SWITCH HOLDER COMPLETE
112	650591-7	SWITCH
113	419980-3	HANDLE COVER
114	266326-2	TAPPING SCREW 4X18
115	665890-4	POWER SUPPLY CORD 1.0-2-4.0
116	682573-1	CORD GUARD 10
117	266326-2	TAPPING SCREW 4X18
118	687169-3	STRAIN RELIEF
119	685722-9	SPONGE
120	313139-3	SHOULDER SLEEVE 6
121	266041-8	TAPPING SCREW 5X25
131	286263-4	CAP 35
132	233940-9	RING SPRING 19
133	418217-5	CHUCK COVER
134	345333-9	STOPPER
135	216022-2	STEEL BALL 7.0
136	345187-4	GUIDE WASHER
137	233916-6	CONICAL COMP. SPRING 21-29
138	267279-8	FLAT WASHER 21
139	324355-2	TOOL HOLDER
140	216013-3	STEEL BALL 6
141	231669-1	TORSION SPRING 31
142	345334-7	CHANGE RING
143	418218-3	CHANGE COVER
144	216018-3	STEEL BALL 5.0
145	345335-5	LEAF SPRING
146	267270-6	FLAT WASHER 24
147	233924-7	RING SPRING 21



Nr.	Art nr.	Namn
7	922241-7	HEX. SOCKET HEAD BOLT M5X25
8	158057-6	GRIP 36 COMPLETE
9	921919-9	HEX. BOLT M8X110
10	419975-6	GRIP BASE 20
11	158288-7	BARREL COMPLETE
12	267354-0	FLAT WASHER 31
13	262133-1	URETHANE RING 31
14	267354-0	FLAT WASHER 31
15	234020-4	COMPRESSION SPRING 37
16	419986-1	LOCK SLEEVE
17	233952-2	RING SPRING 41
18	213620-3	O RING 46
19	922128-3	HEX. SOCKET HEAD BOLT M4X16
20	419984-5	CRANK HOUSING COVER
22	158286-1	TOOL HOLDER GUIDE COMPLETE
23	213344-1	OIL SEAL 9
24	961140-8	RETAINING RING
25	331769-8	SLEEVE 9
26	324796-2	IMPACT BOLT
27	324402-9	RING 10
28	421955-0	CUSHION RING 13
29	324216-6	O RING CASE
30	213073-6	O RING 9
31	233917-4	RING SPRING 28
32	267105-1	FLAT WASHER 29
33	234021-2	COMPRESSION SPRING 30
34	331770-3	DRIVING SLEEVE
35	213435-8	O RING 26
36	256099-5	PIN 6
37	324733-6	STRIKER
38	213227-5	O RING 16
39	331776-1	PISTON CYLINDER
40	233954-8	RING SPRING 21
41	158282-9	CONNECTING ROD COMPLETE
42	227532-4	SPIRAL BEVEL GEAR 31
43	266420-0	TAPPING SCREW 5X20
44	234019-9	COMPRESSION SPRING 4
45	345814-3	LINK PLATE
46	345815-1	GUIDE PLATE
47	911118-1	PAN HEAD SCREW M4X12
48	213262-3	O RING 18
49	162256-4	LINK LEVER COMPLETE
50	419988-7	FILTER CAP
51	213218-6	O RING 16
52	443129-3	FILTER
53	419987-9	CRANK CAP
54	213406-5	O RING 30
55	158289-5	CRANK HOUSING COMPLETE

56	324793-8	CRANK SHAFT
57	211232-6	BALL BEARING 6002LLU
58	961055-9	RETAINING RING S-15
59	233951-4	C. C. SPRING 16-26
60	223167-9	CLUTCH
61	226653-9	HELICAL GEAR 29
62	267353-2	FLAT WASHER 8
63	961034-7	RETAINING RING
64	345818-5	CUP WASHER 16
65	254239-9	KEY 4
66	227524-3	SPIRAL BEVEL GEAR 9
67	254239-9	KEY 4
68	210105-0	BALL BEARING 6001LLU
69	125386-2	TORQUE LIMITTER ASS'Y
70	961006-2	RETAINING RING S-10
71	210024-0	BALL BEARING 608LLU
72	424028-8	SEAL RING
73	158287-9	GEAR HOUSING COMPLETE
74	213445-5	O-RING 26
75	213133-4	OIL SEAL 12
76	331775-3	SLEEVE 10
77	210054-1	BALL BEARING 6000LLU
78	253171-4	FLAT WASHER 10
80	515294-9	ARMATURE ASS'Y 240V
81	266325-4	TAPPING SCREW 4X70
82	210023-2	BALL BEARING 627DDW
83	681656-4	INSULATION WASHER
84	419989-5	BUFFLE PLATE
85	526584-5	FIELD ASS'Y 240V
86	419982-9	MOTOR HOUSING
87	643766-5	BRUSH HOLDER
88	266421-8	TAPPING SCREW 3X10
89	194074-2	Hiilet CB-325
90	631754-4	LED CIRCUIT
91	419983-7	REAR COVER
92	266326-2	TAPPING SCREW 4X18
93	638568-2	CHOKE COIL UNIT
94	638567-4	LEAD UNIT
95	638566-6	LEAD UNIT
96	266326-2	TAPPING SCREW 4X18
97	158284-5	CHANGE LEVER COMPLETE
98	234022-0	COMPRESSION SPRING 14
99	266326-2	TAPPING SCREW 4X18
100	419995-0	SPRING GUIDE
101	419979-8	HANDLE BASE
102	911258-5	PAN HEAD SCREW M5X35
103	266420-0	TAPPING SCREW 5X20
104	863933-8	HR2811FT NAME PLATEE
105	419992-6	F/R CHANGE LEVER

106	419994-2	DUST COVER SUPPORT
107	424029-6	DUST COVER
108	419978-0	HANDLE
109	631753-6	POWER SUPPLY CIRCUIT
110	419990-0	SWITCH LEVER
111	158281-1	SWITCH HOLDER COMPLETE
112	650591-7	SWITCH
113	419980-3	HANDLE COVER
114	266326-2	TAPPING SCREW 4X18
115	665890-4	POWER SUPPLY CORD 1.0-2-4.0
116	682573-1	CORD GUARD 10
117	266326-2	TAPPING SCREW 4X18
118	687169-3	STRAIN RELIEF
119	685722-9	SPONGE
120	313139-3	SHOULDER SLEEVE 6
121	266041-8	TAPPING SCREW 5X25
131	286263-4	CAP 35
132	233940-9	RING SPRING 19
133	418217-5	CHUCK COVER
134	345333-9	STOPPER
135	216022-2	STEEL BALL 7.0
136	345187-4	GUIDE WASHER
137	233916-6	CONICAL COMP. SPRING 21-29
138	267279-8	FLAT WASHER 21
139	324355-2	TOOL HOLDER
140	216013-3	STEEL BALL 6
141	231669-1	TORSION SPRING 31
142	345334-7	CHANGE RING
143	418218-3	CHANGE COVER
144	216018-3	STEEL BALL 5.0
145	345335-5	LEAF SPRING
146	267270-6	FLAT WASHER 24
147	233924-7	RING SPRING 21